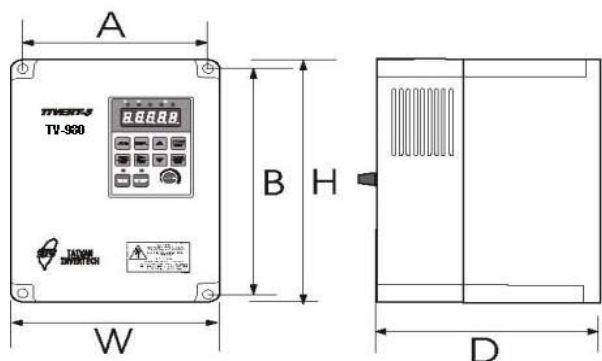
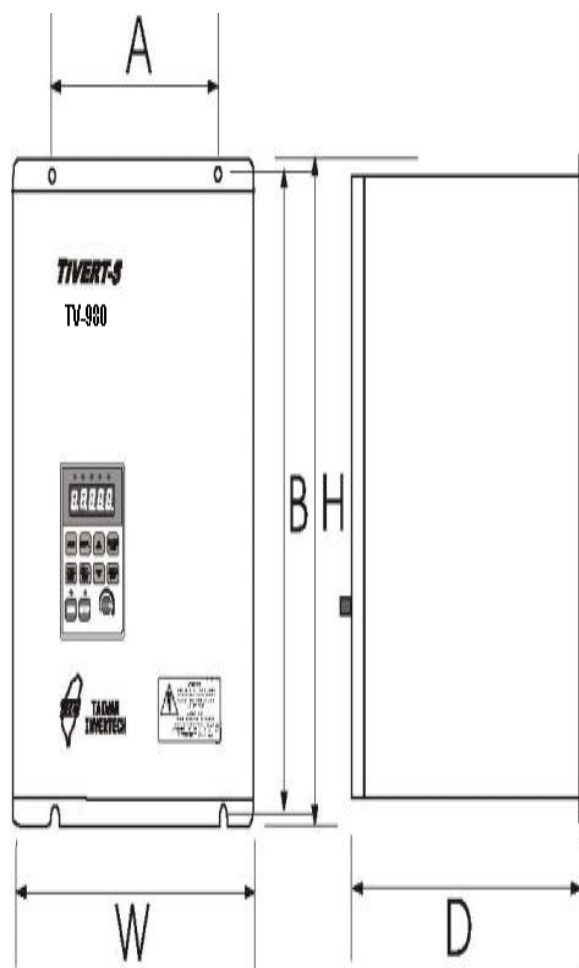


七、TV-980 系列外型尺寸圖

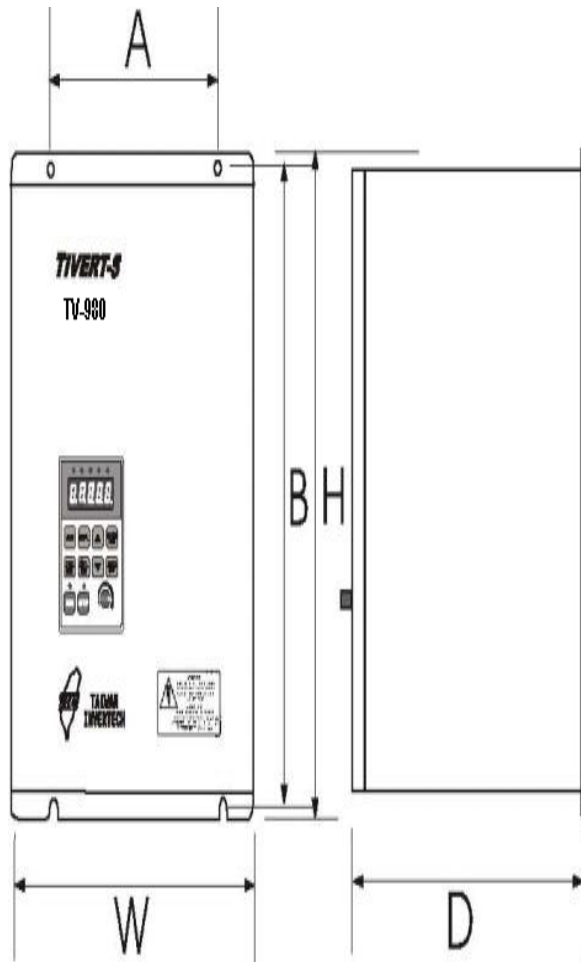


| 電壓 | 馬力 | W | H | D | A | B |
|-------------|-----|-----|-----|-----|-----|-----|
| L 級 220V | 1/2 | 133 | 198 | 163 | 107 | 188 |
| | 1 | | | | | |
| | 2 | | | | | |
| | 3 | | | | | |
| | 5 | | | | | |
| H 級 440V | 1 | 182 | 237 | 185 | 168 | 222 |
| | 2 | | | | | |
| | 3 | | | | | |
| | 5 | | | | | |



| 電壓 | 馬力 | W | H | D | A | B |
|-------------|-----|-----|-----|-----|-----|-----|
| L 級 220V | 7.5 | 203 | 320 | 180 | 140 | 300 |
| | 10 | | | | | |
| | 15 | 284 | 460 | 204 | 180 | 440 |
| | 20 | | | | | |
| | 25 | 307 | 500 | 278 | 200 | 472 |
| | 30 | | | | | |
| | 40 | 380 | 575 | 304 | 250 | 547 |
| | 50 | | | | | |
| | 60 | 538 | 760 | 305 | 314 | 730 |
| | 75 | | | | | |
| 100 | | | | | | |
| 100 | | | | | | |
| H 級 440V | 7.5 | 203 | 320 | 180 | 140 | 300 |
| | 10 | | | | | |
| | 15 | 284 | 460 | 204 | 180 | 440 |
| | 20 | | | | | |
| | 25 | 307 | 500 | 278 | 200 | 472 |
| | 30 | | | | | |
| | 40 | 380 | 575 | 304 | 250 | 547 |
| | 50 | | | | | |
| | 60 | 538 | 760 | 305 | 314 | 730 |
| | 75 | | | | | |
| 100 | | | | | | |
| 150 | | | | | | |

TV-980P 系列外型尺寸圖



| 電壓 | 馬力 | W | H | D | A | B |
|-------------|-----|-----|-----|-----|-----|-----|
| L 級 220V | 7.5 | 203 | 320 | 180 | 140 | 300 |
| | 10 | | | | | |
| | 15 | | | | | |
| | 20 | 284 | 460 | 204 | 180 | 440 |
| | 25 | | | | | |
| | 30 | 307 | 500 | 278 | 200 | 472 |
| | 40 | | | | | |
| | 50 | 380 | 575 | 304 | 250 | 547 |
| | 60 | | | | | |
| | 75 | 538 | 760 | 305 | 314 | 730 |
| 100 | | | | | | |
| H 級 440V | 7.5 | 203 | 320 | 180 | 140 | 300 |
| | 10 | | | | | |
| | 15 | | | | | |
| | 20 | 284 | 460 | 204 | 180 | 440 |
| | 25 | | | | | |
| | 30 | 307 | 500 | 278 | 200 | 472 |
| | 40 | | | | | |
| | 50 | 380 | 575 | 304 | 250 | 547 |
| | 60 | | | | | |
| | 75 | 538 | 760 | 305 | 314 | 730 |
| | 100 | | | | | |
| | 125 | 538 | 760 | 305 | 314 | 730 |
| | 150 | | | | | |

操作器尺寸圖 (W : 62.3 mm · H : 105 mm · D : 16 mm)

